



# Cloud Cap Technology VPS II

## Solid Stable Imagery

The second generation Video Processing System is a feature rich video processor that dramatically enhances the performance of the entire TASE payload line. Executing video processing algorithms in the air is critical to obtaining high performance imagery, especially in UAV applications where latency and video transmitter dropouts make ground based systems ineffective. Available as an optional stand-alone unit for the TASE150/200 payloads and built into the TASE300/400 payloads.

### Key Features

**E-stab** - Converts jittery video into solid, stable imagery

**Scene Steering** - Keeps payload pointed at current scene. Allows users to pan and tilt the payload with traditional joystick commands

**Object Tracking** - Continuous tracking of selected objects, adjustable track box, coasts through occlusions to stay on target

**Overlays** - Select from a wide range of data for video overlays

**Target Position Overlays** - Overlays the estimated target position on the video

**Local Contrast Enhancement** - Enhances both washed out and shadowed details

**Picture-in Picture** - For multi-camera payloads, the customizable frame-in-frame feature allows for enhanced situational awareness



**UTC Aerospace Systems**

## Control Interface

RS-232

## Video In

2 SMA Standard Def (NTSC/PAL)

3 Standard Def thru 15 pin D-Sub

## Video Out

SD Out

## Electrical

VIN: 9 - 30 Volts

Power: 6 W (average)

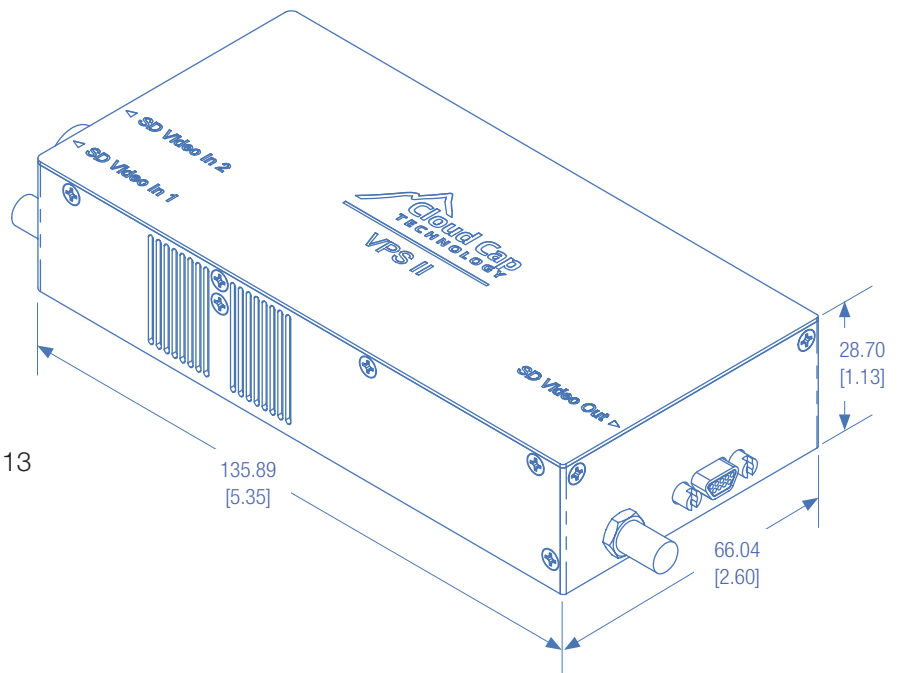
## Mechanical

Size: 135.9 x 66.0 x 28.7 mm (5.53 x 2.60 x 1.13 inches)

Weight: 200 g (7 oz)

## Environmental

Operating Temperature: -40°C to 60°C



Dimensions in mm [inches]

## VPS Feature Set

Features	Limited	Advanced
E-Stab	●	●
Scene Steering	●	●
Object Tracking		●
Overlays		●
Target Position Overlays		●
Local Contrast Enhancement		●
Picture-in-Picture Viewing		●



### For additional information:

Cloud Cap Technology  
202 Wasco Loop, Suite 103  
Hood River, OR 97031  
USA  
Ph: +1.541.387.2120  
[www.cloudcaptech.com](http://www.cloudcaptech.com)

Cloud Cap Technology  
TASE Stabilized Imaging  
Payloads

